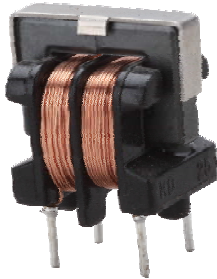


## CVU98F Series Common Mode Choke

1.8mH-30.0mH, Current 0.25A-1.0A



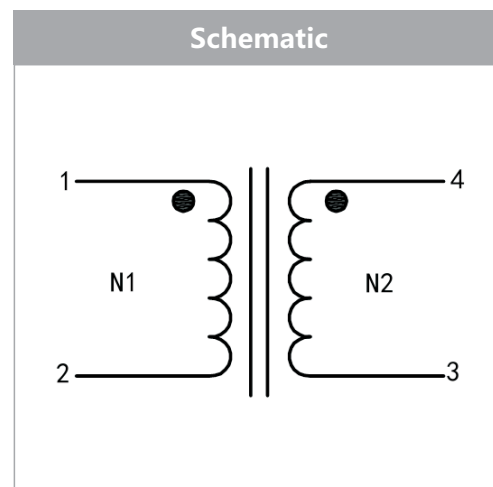
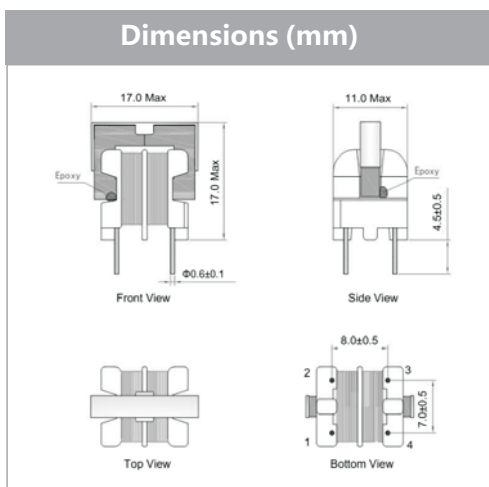
### CHARACTERISTICS

- The core is made of high permeability ferrite
- Decreasing noise by using 10kHz to 100MHz
- Increases the anti-EMI ability
- Suppression of common mode noise
- Mains filter
- Compact switch mode power supplies
- Operating Temp. -40 °C to +125°C

### Electronic Specification

MN code	Rated current per winding (A)	Inductance Per winding (mH+50%/-30%)	DC resistance (mΩ)	Suggested PCB hole (mm)
174350	1.0 Max	1.8	310.0 Max	Φ1.0
174351	0.8 Max	3.3	510.0 Max	Φ1.0
017336	0.45 Max	10.0	2000.0 Max	Φ1.0

Remark: Testing conditions at 20°C, 1.0kHz, 300mV; Testing voltage: 1500Vac – 50Hz, 2 sec, Related voltage: 250V-50Hz and +60°C ambient temperature



We are ready to customise any of our standard products to meet your specific design needs!

Add: No.128 Jinchuan Road, Zhenhai  
315221 Ningbo China

Tel: +86 574 8630 7585  
Fax: +86 574 8630 7571

Email: salescn@mascot.no  
Websites: www.mascot.no